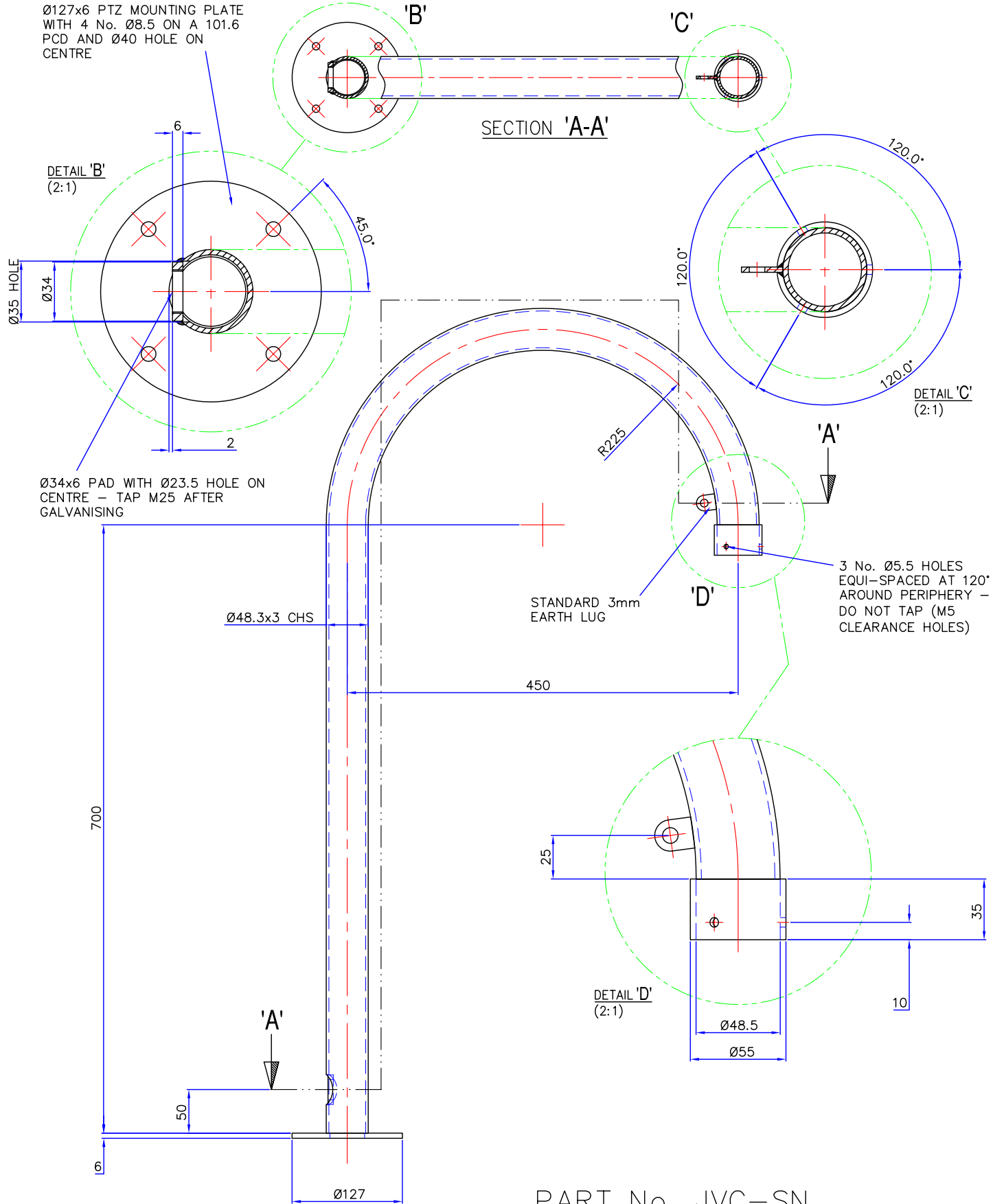


CLIENT	STD PRODUCT
ISSUE	AMENDMENT

3rd ANGLE PROJECTION

All rights are strictly reserved and copying or disclosure in part or full to a third party is strictly forbidden without the written consent of ALTRON COMMUNICATIONS EQUIPMENT LTD.

IF IN DOUBT ASK ALL ERRORS TO BE REPORTED



PART No. JVC-SN

DIMENSIONS IN mm UNLESS OTHERWISE STATED © ALTRON COMMUNICATIONS EQUIPMENT LTD. ALL RIGHTS RESERVED DO NOT SCALE

TITLE JVC SWAN NECK (PART No. JVC-SN) – GENERAL ARRANGEMENT		ALTRON COMMUNICATIONS EQUIPMENT LTD TOWER HOUSE PARC HENDRE AMMANFORD SA18 3SJ TEL: (01269) 831431 FAX: (01269) 845348 e-mail: comms@altron.co		PRODUCT JVC SWAN NECK		DATE SEP 08
DRAWN GC	CAD RELEASE-1	MATERIAL EN10219	FINISH GALVANIZE TO ISO 1461	ALTRON	DWG. No. 4313-1	-